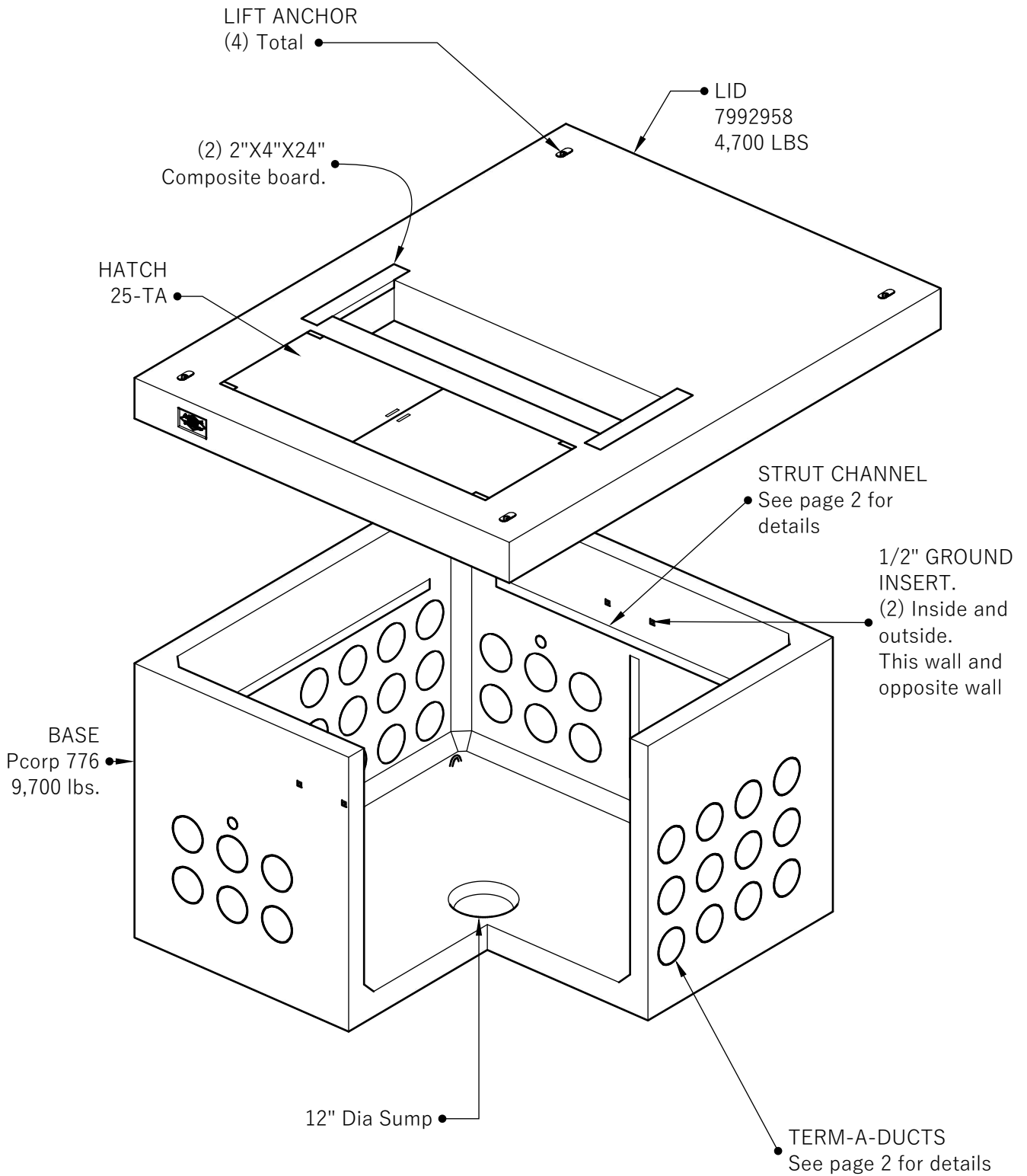


Pcorp 776 7992958

ISO CUTAWAY



ISOMETRIC



541-923-3272
1111 NE 11TH ST.
REDMOND, OR
97756

Date Modified: July 10, 2023

Plan Sheet:

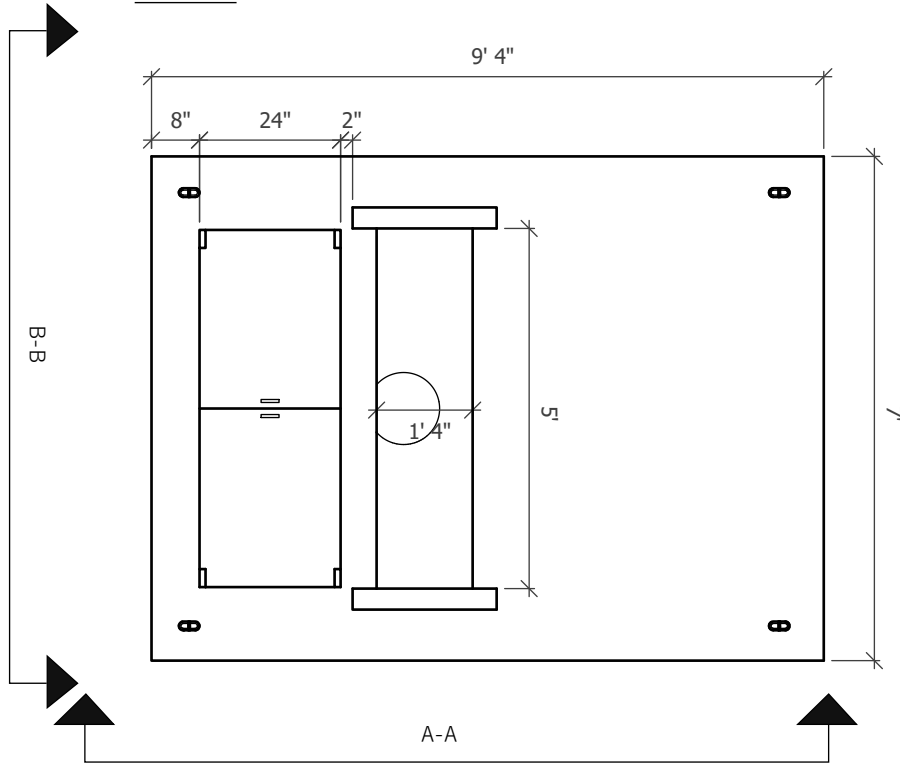
Customer:

Project:

Product: Pcorp 776 7992958

Pcorp 776 7992958

A WALL

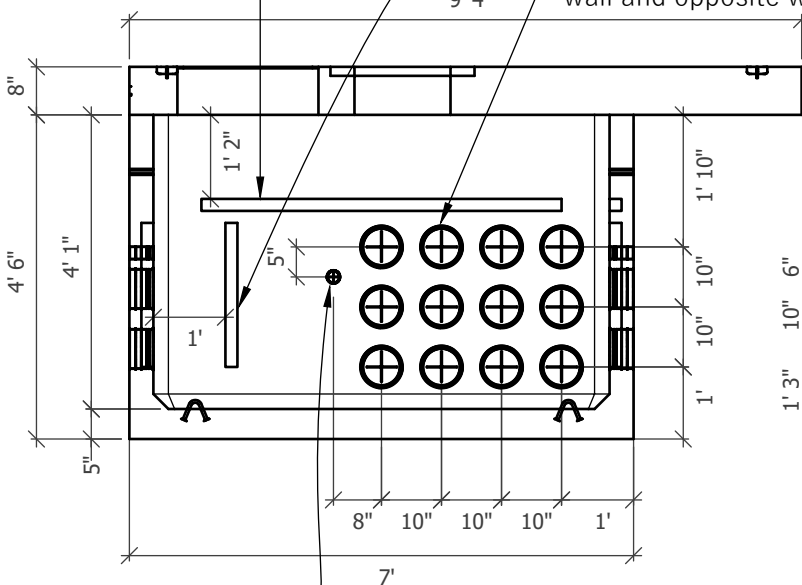


5' Strut channel
(1 each wall)

SECTION AA

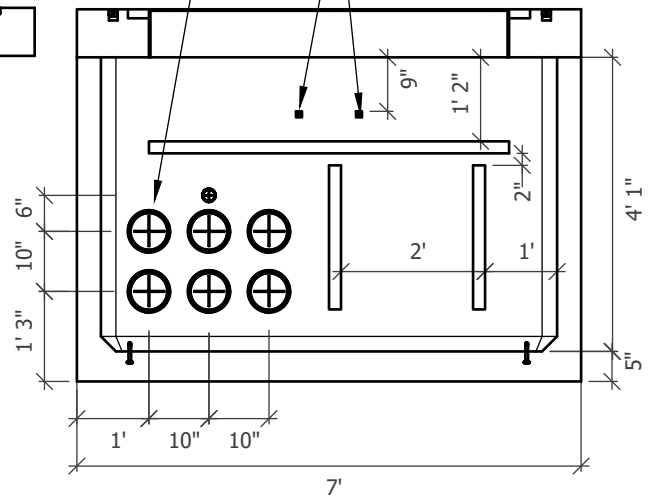
2' Strut channel
(6 total)

6.63" Term-
A-Ducts. (12 This
wall and opposite wall)



6.63" Term-
A-Ducts. (6 This
Wall and opposite wall)

1/2" Ground insert
(2 inside & out. This wall
and opposite.)



SECTION BB

2.38" Term-A-Duct
(1 each wall)

PLAND & PROFILE



541-923-3272
1111 NE 11TH ST.
REDMOND, OR
97756

Date Modified: July 10, 2023

Plan Sheet:

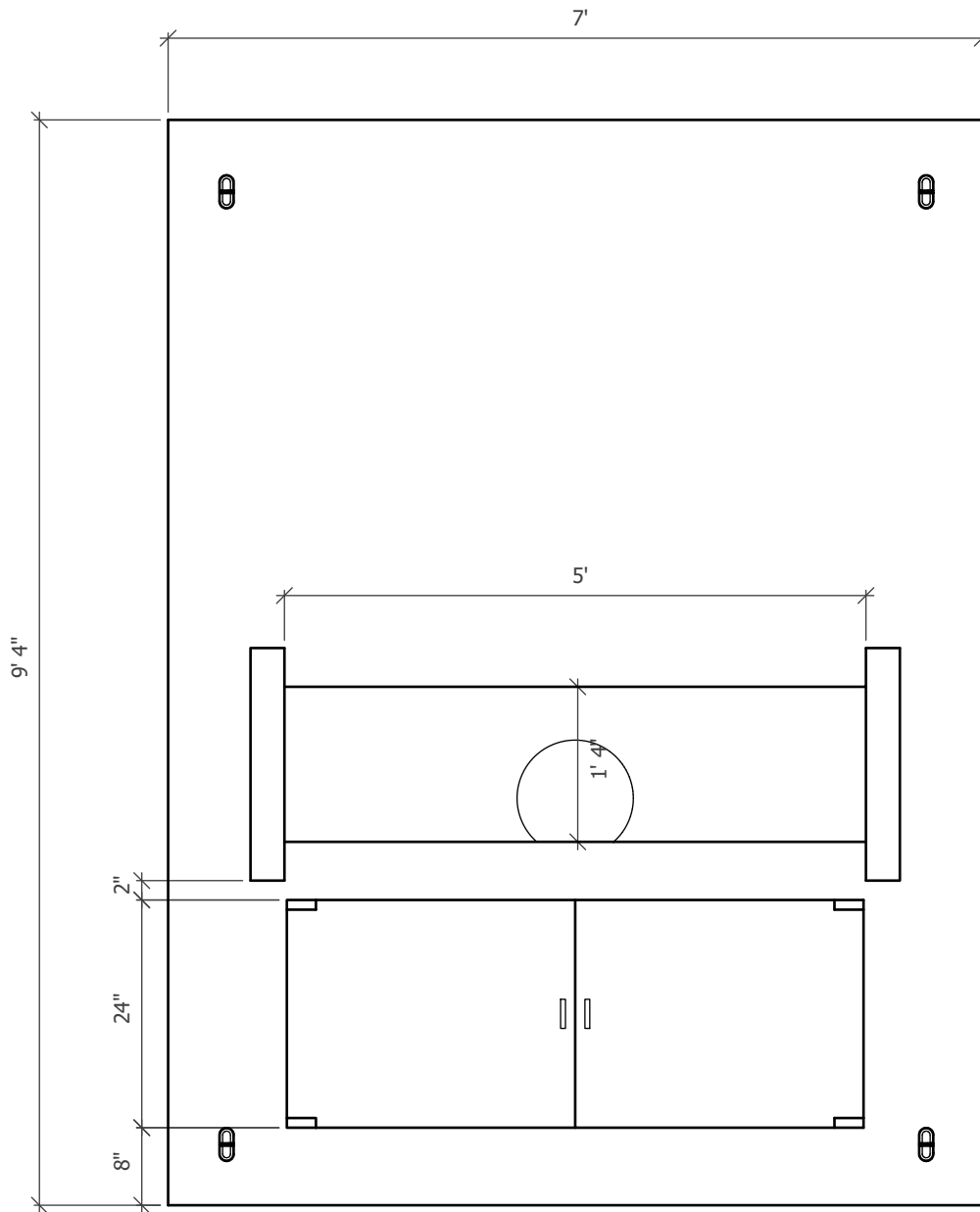
2

Customer:

Project:

Product: Pcorp 776 7992958

PLAN VIEW



PLAN VIEW		541-923-3272 1111 NE 11TH ST. REDMOND, OR 97756	Date Modified: July 10, 2023	3
			Plan Sheet:	
Customer:	Project:	Product: Pcorp 776 7992958		