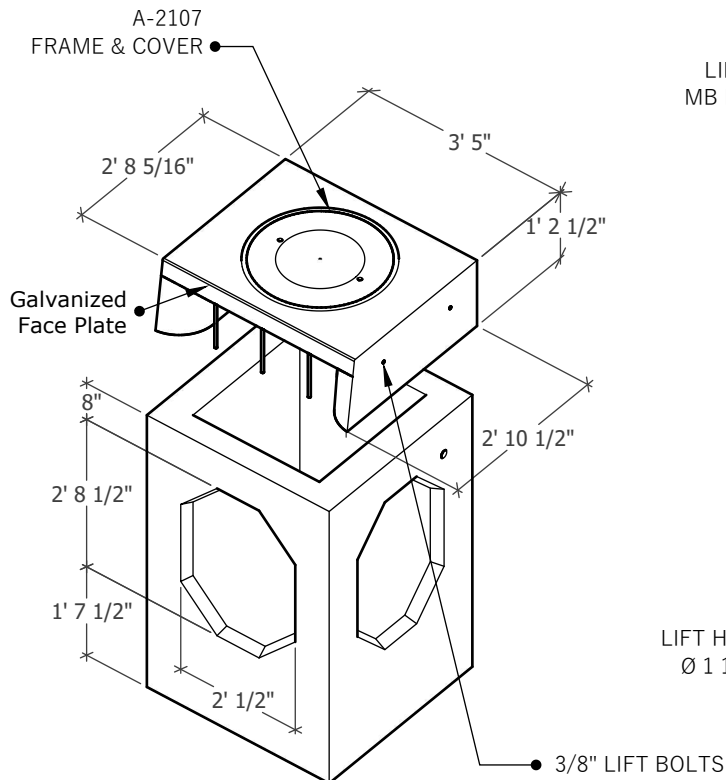
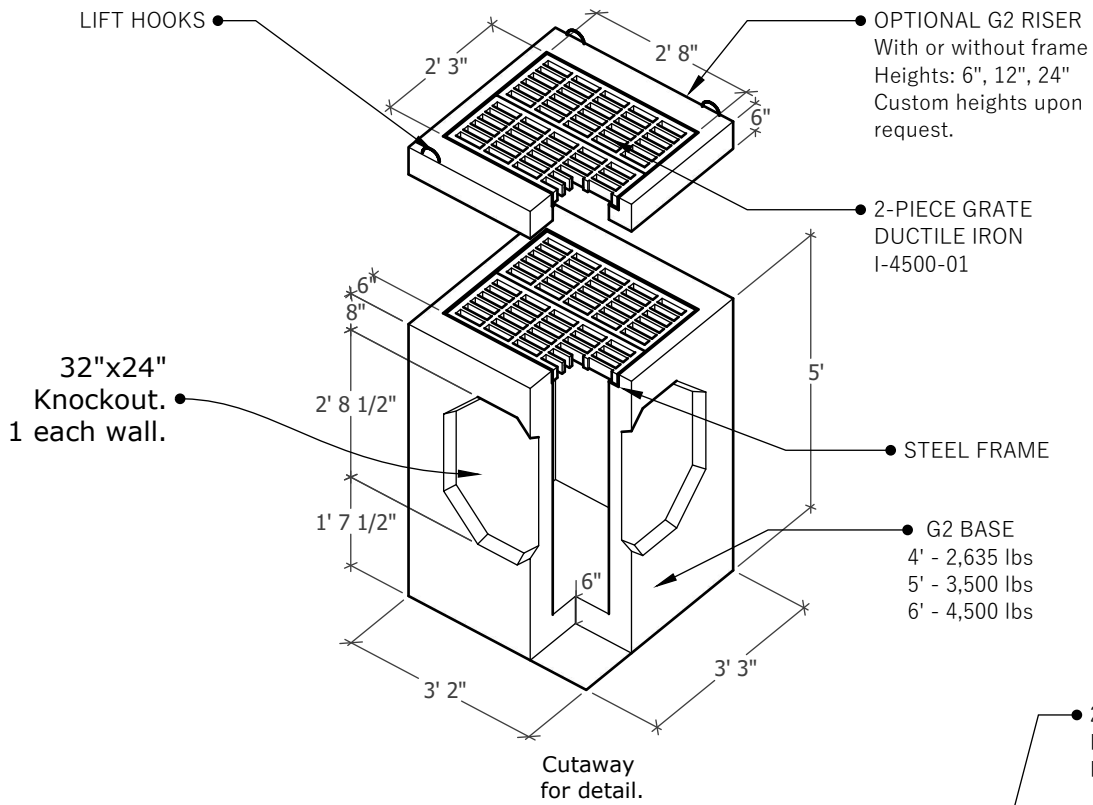
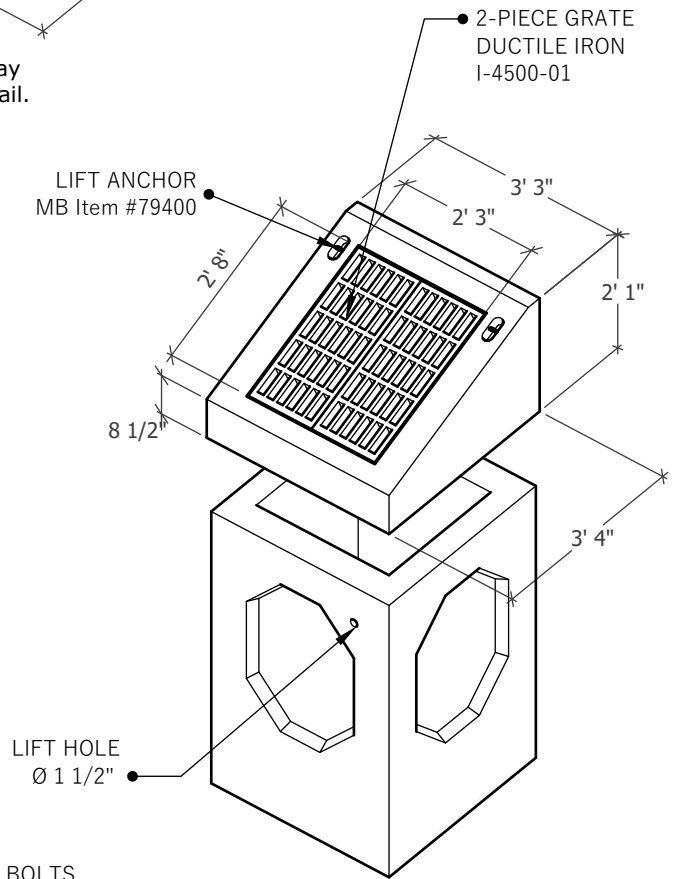


G2 CATCH BASIN

G2 CATCH BASIN



CG-3 CURB INLET TOP



DITCH INLET TOP

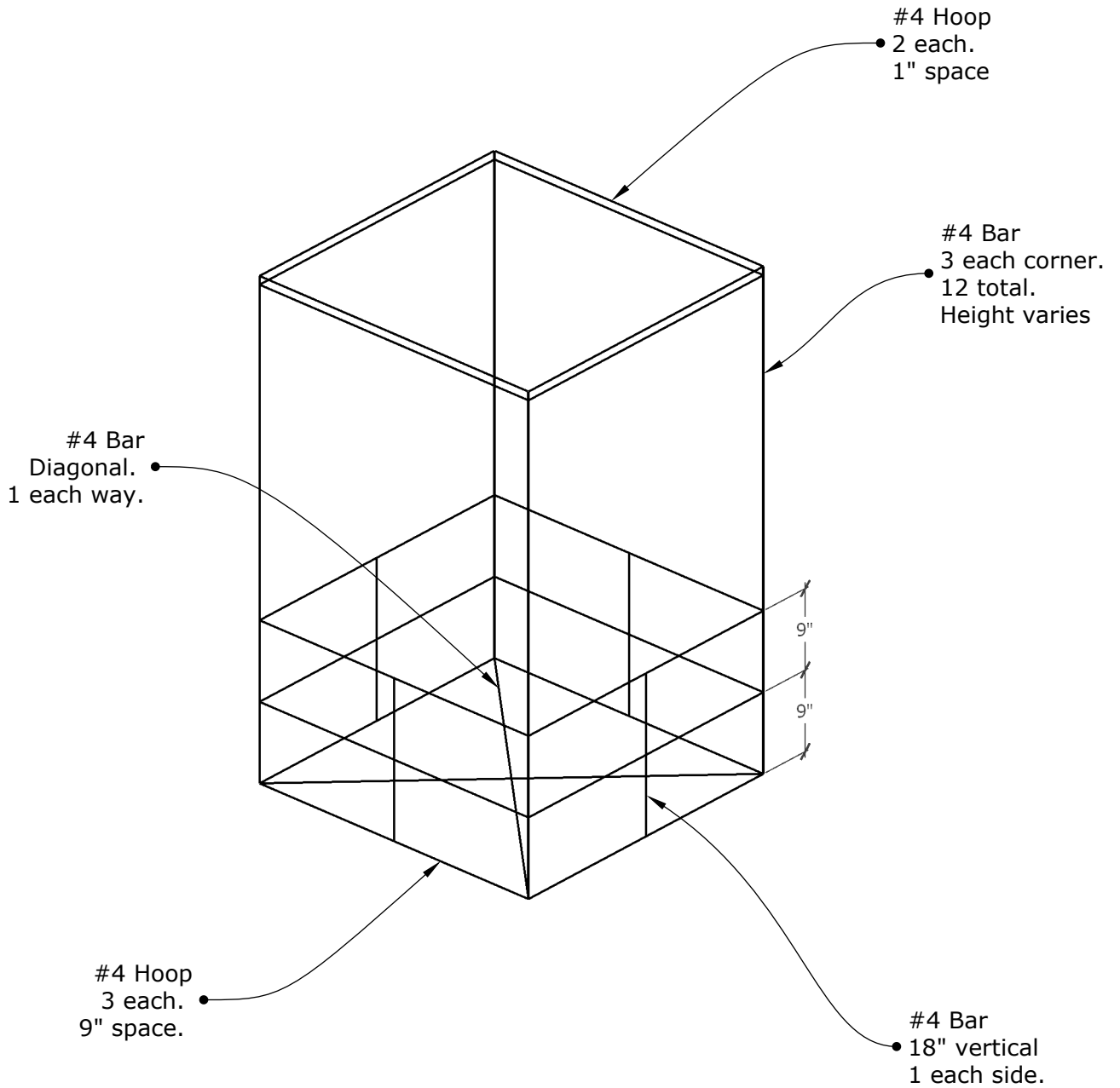


G2 CATCH BASIN

541-923-3272
1111 NE 11TH ST.
REDMOND, OR
97756

G2 CATCH BASIN

G2 Reinforcement



**G2 CATCH
BASIN**

541-923-3272
1111 NE 11TH ST.
REDMOND, OR
97756