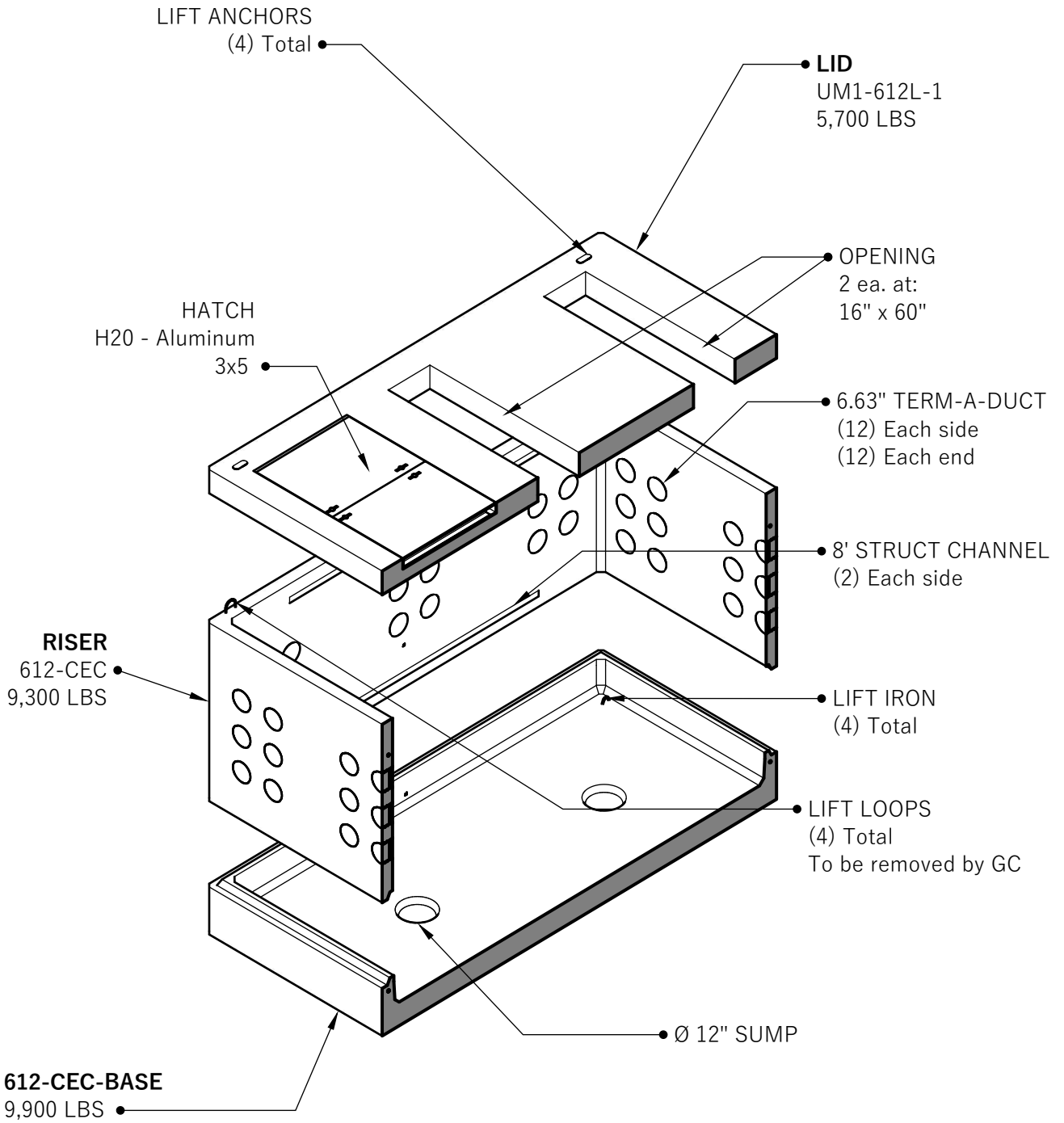


CEC UM1-612L-1

SECTION BB



| |
|-------------------------|
| Customer: |
| Project: |
| Product: CEC UM1-612L-1 |

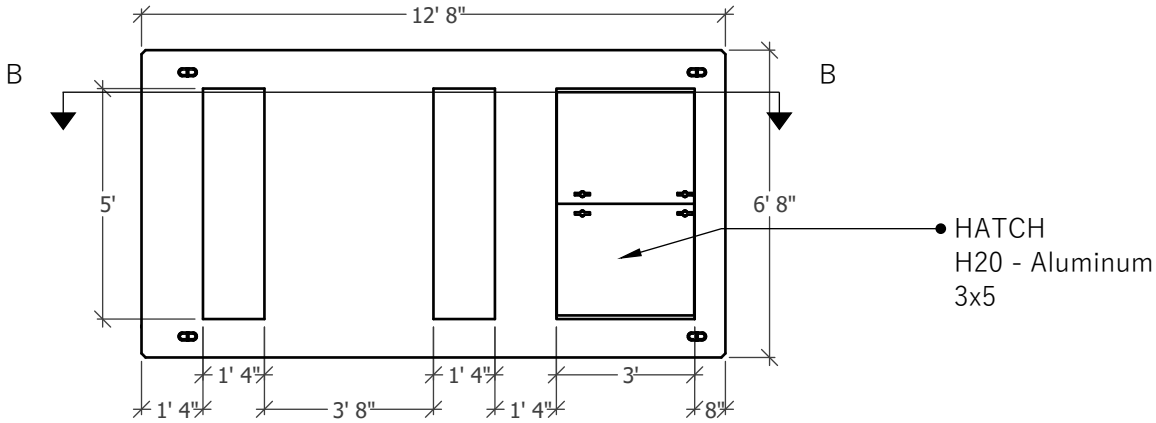


CEC UM1-612L-1

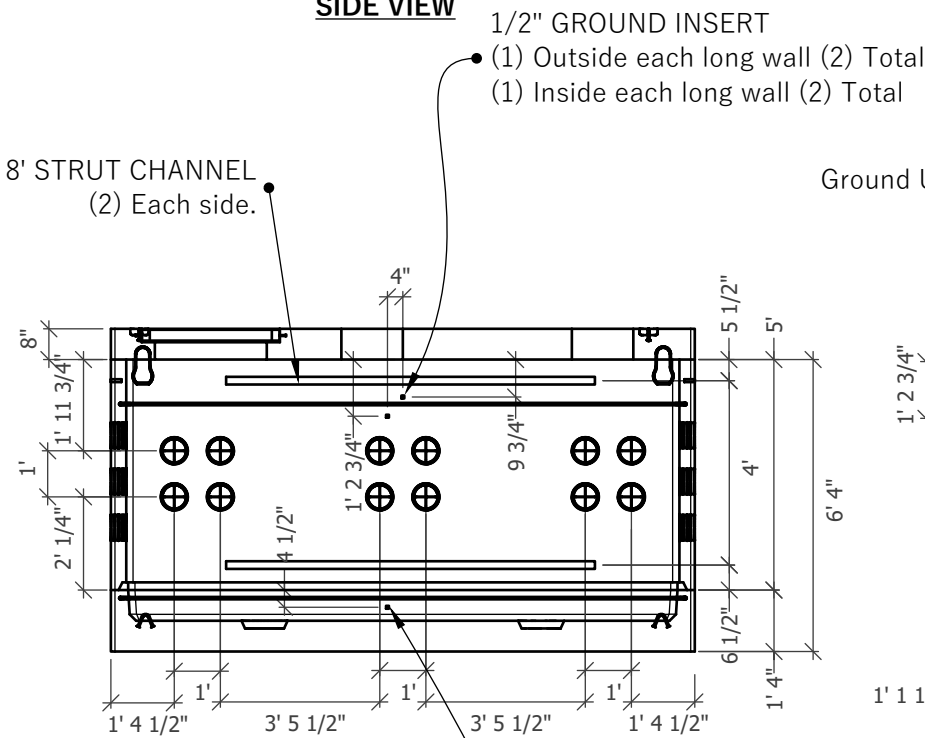
541-923-3272
1111 NE 11TH ST.
REDMOND, OR
97756

CEC UM1-612L-1

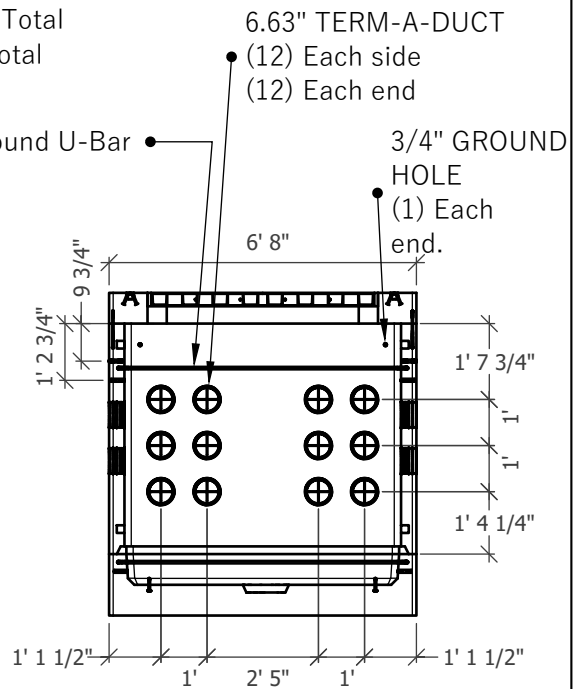
PLAN VIEW



SIDE VIEW



END VIEW



1/2" GROUND INSERT
 (1) Inside each long wall
 (2) Total

Customer:

Project:

Product: CEC UM1-612L-1



CEC UM1-612L-1

541-923-3272
 1111 NE 11TH ST.
 REDMOND, OR
 97756