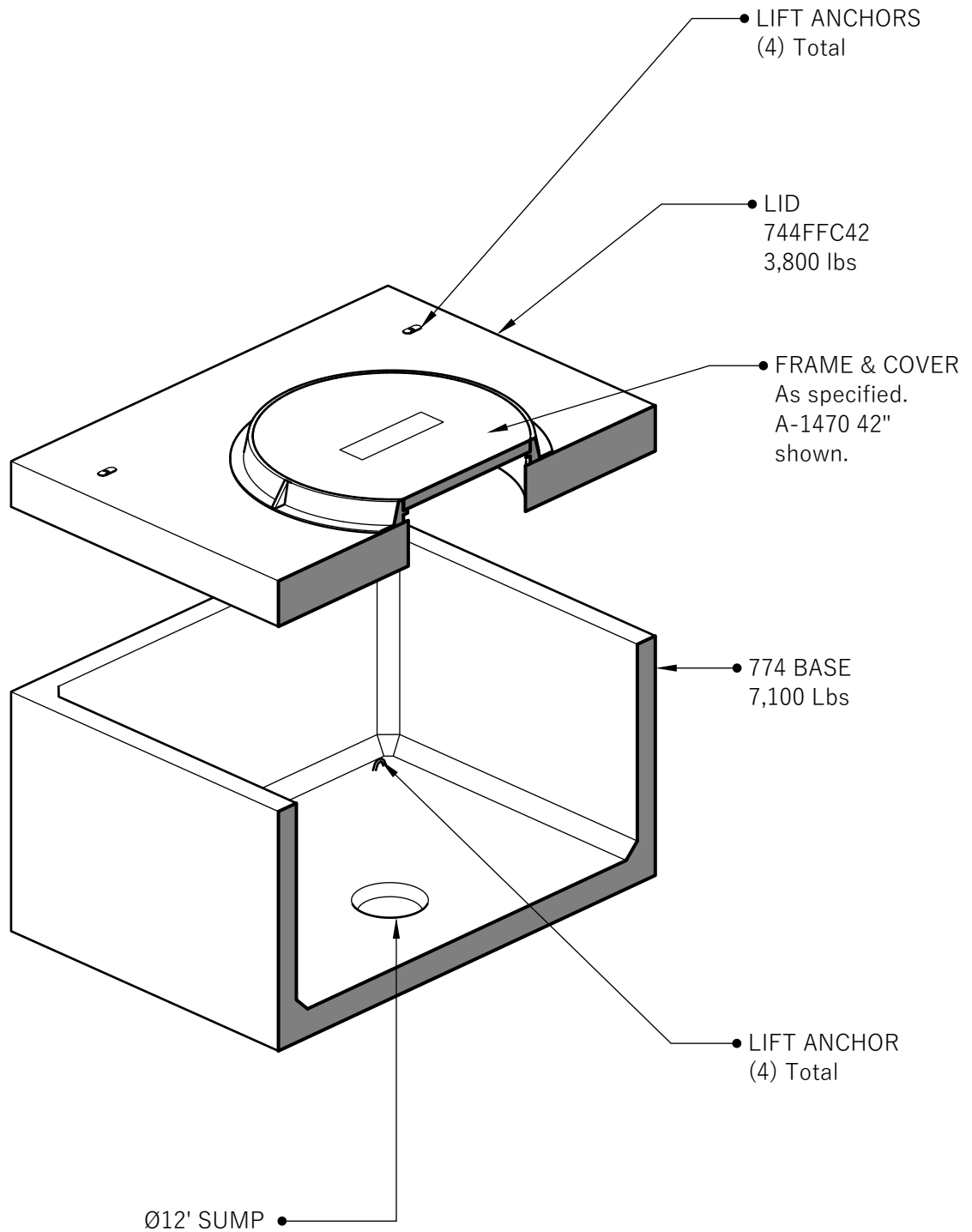


# 774 LA F&C

## SECTION AA



Customer:

Project:

Product: 774 LA F&C

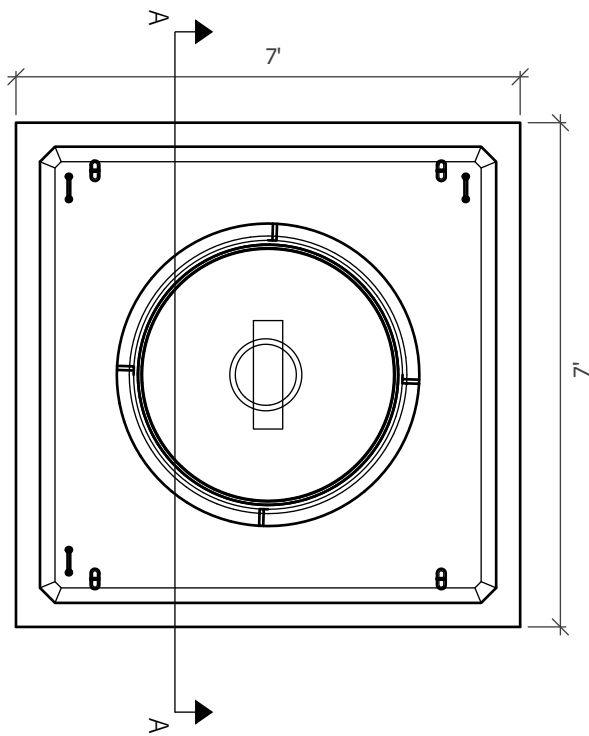


# 774 LA F&C

541-923-3272  
1111 NE 11TH ST.  
REDMOND, OR  
97756

# 774 LA F&C

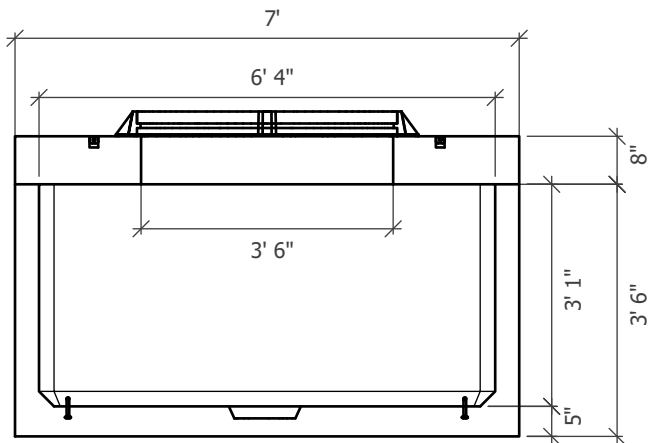
PLAN VIEW



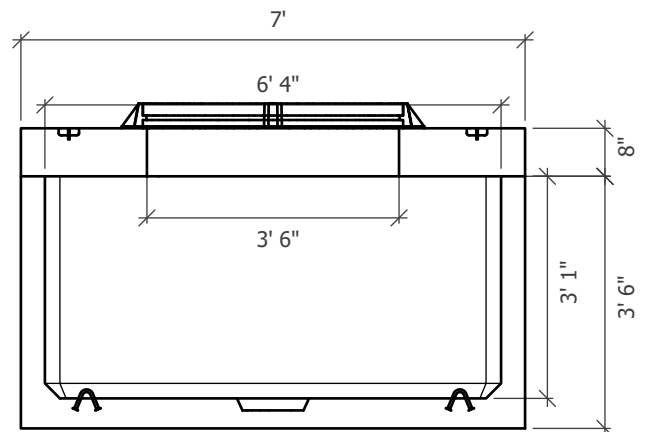
**Notes:**

- \* Strut channel optional.
- \* Duct terminators optional.
- \* Hole coring available.
- \* Knockout optional

SIDE VIEW



END VIEW



**774 LA F&C**

541-923-3272  
1111 NE 11TH ST.  
REDMOND, OR  
97756