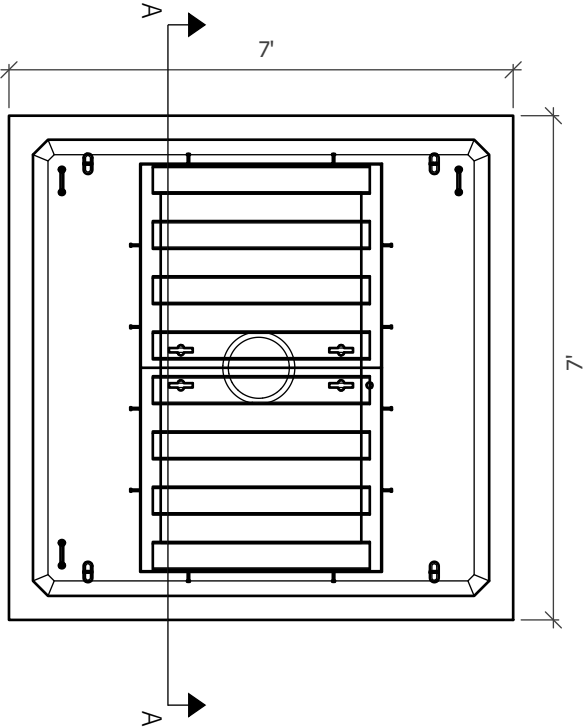


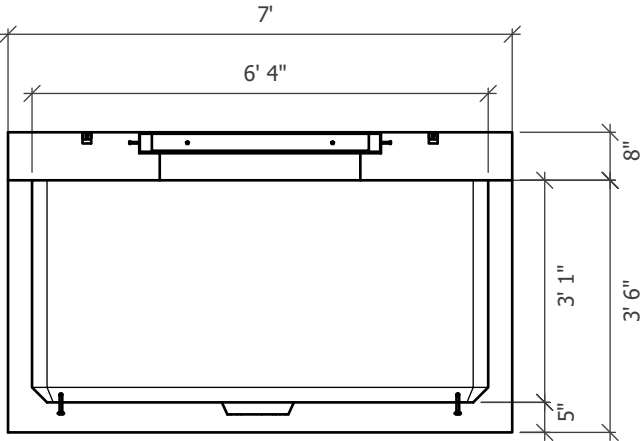


**774 LA 3x5**

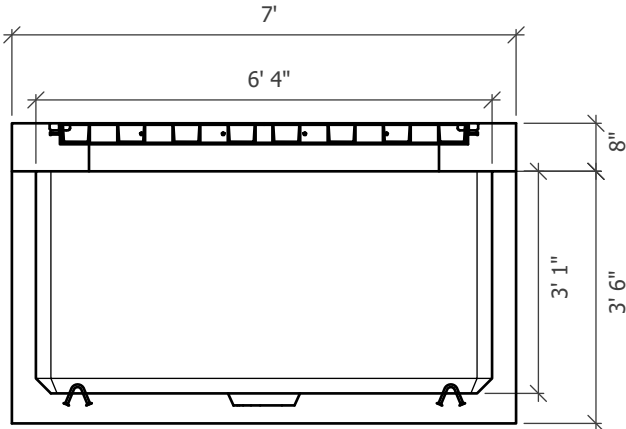
**PLAN VIEW**



- Notes:**
- \* Strut channel optional.
  - \* Duct terminators optional.
  - \* Hole coring available.
  - \* Knockout optional



**SIDE VIEW**



**END VIEW**



**774 LA 3x5**

541-923-3272  
 1111 NE 11TH ST.  
 REDMOND, OR  
 97756