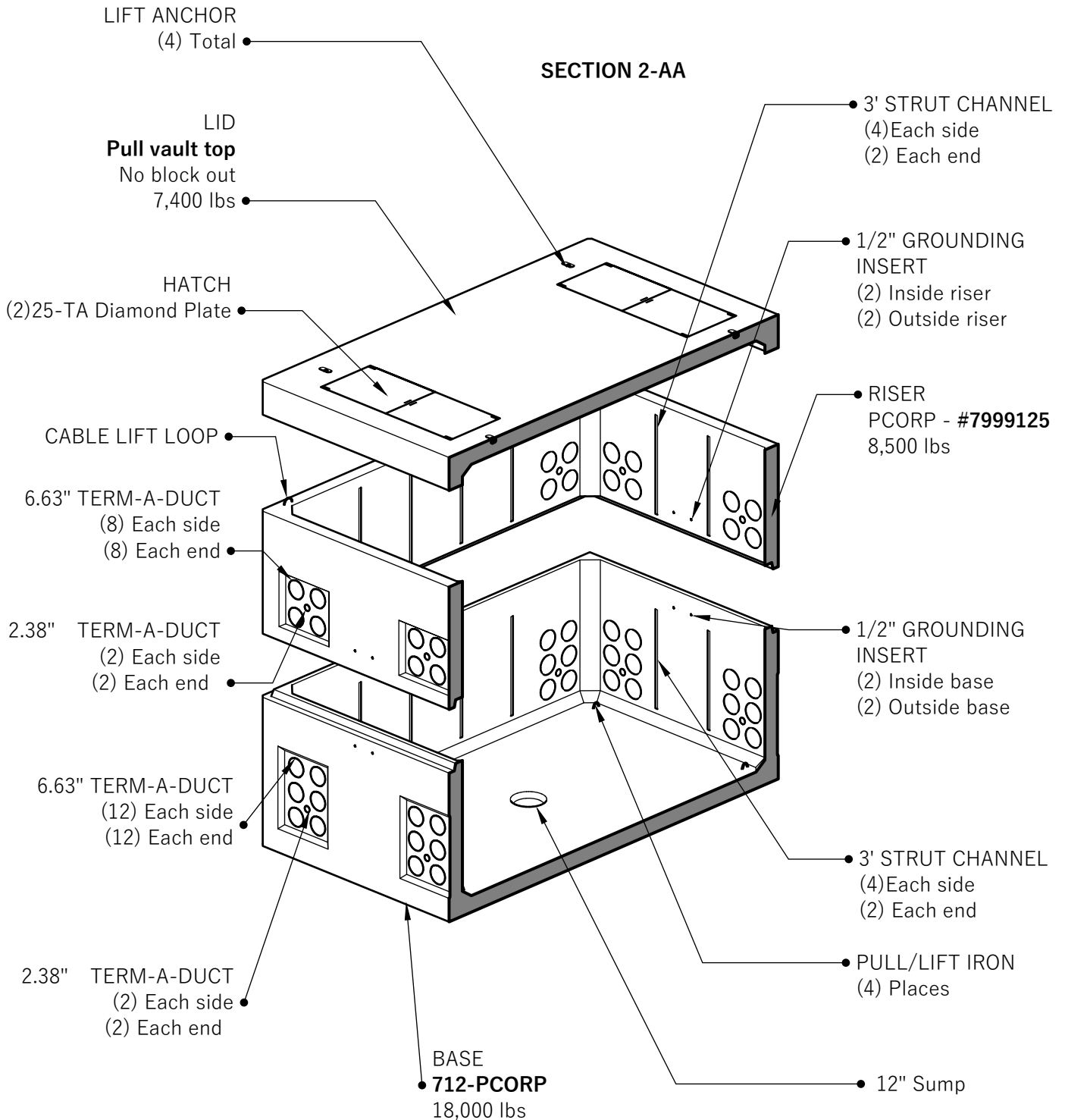


712-PCORP PULL VAULT. RISER SI# 7999125

SECTION 2-AA

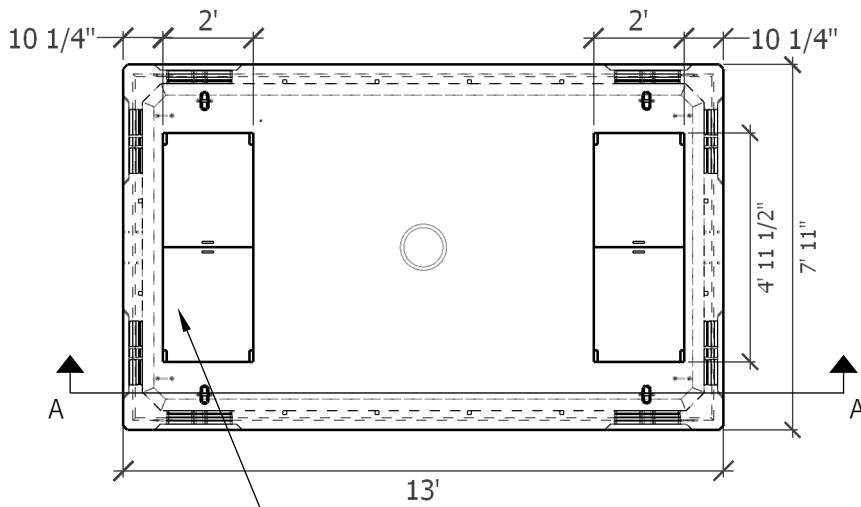


712-PCORP
PULL VAULT.
RISER SI# 7999125

541-923-3272
1111 NE 11TH ST.
REDMOND, OR
97756

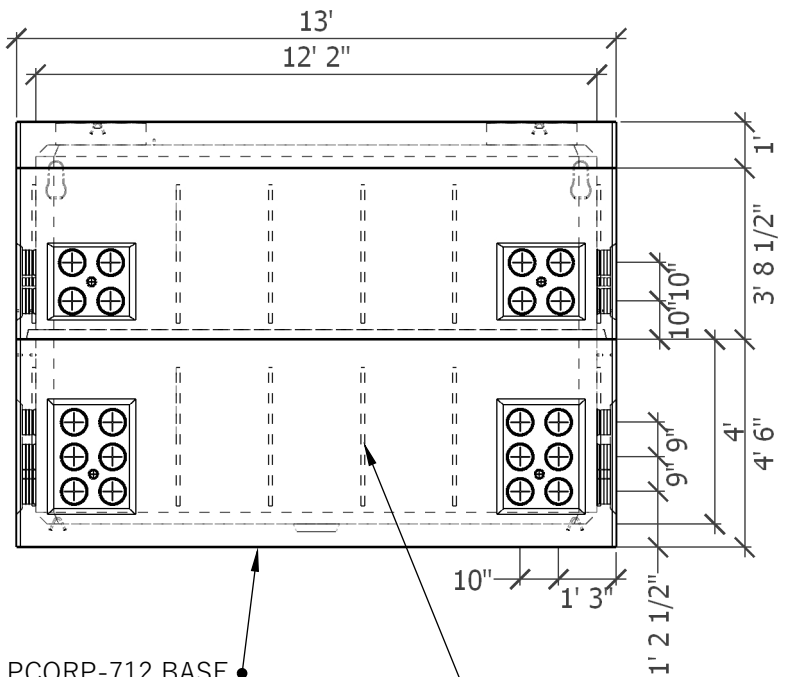
**712-PCORP
PULL VAULT.
RISER SI# 7999125**

TOP



HATCH
(2) 25-TA Diamond Plate

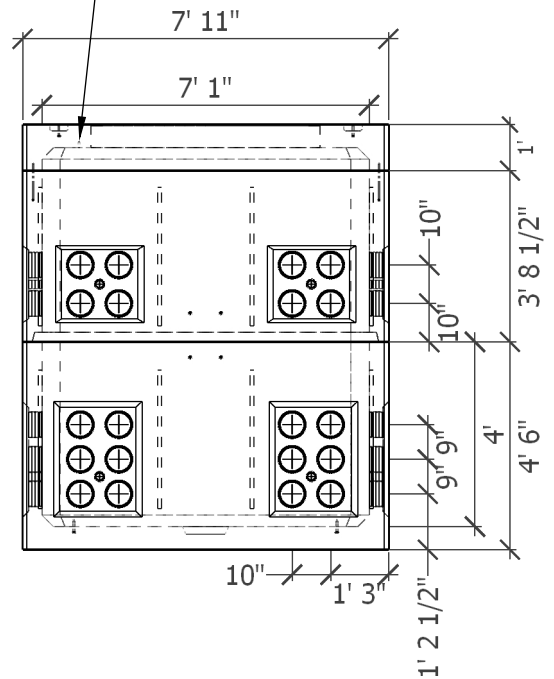
SIDE



PCORP-712 BASE

3' STRUT CHANNEL
(4) Each side
(2) Each end

END



GROUNDING INSERT
(1) IN TOP



712-PCORP
PULL VAULT.
RISER SI# 7999125

541-923-3272
1111 NE 11TH ST.
REDMOND, OR
97756