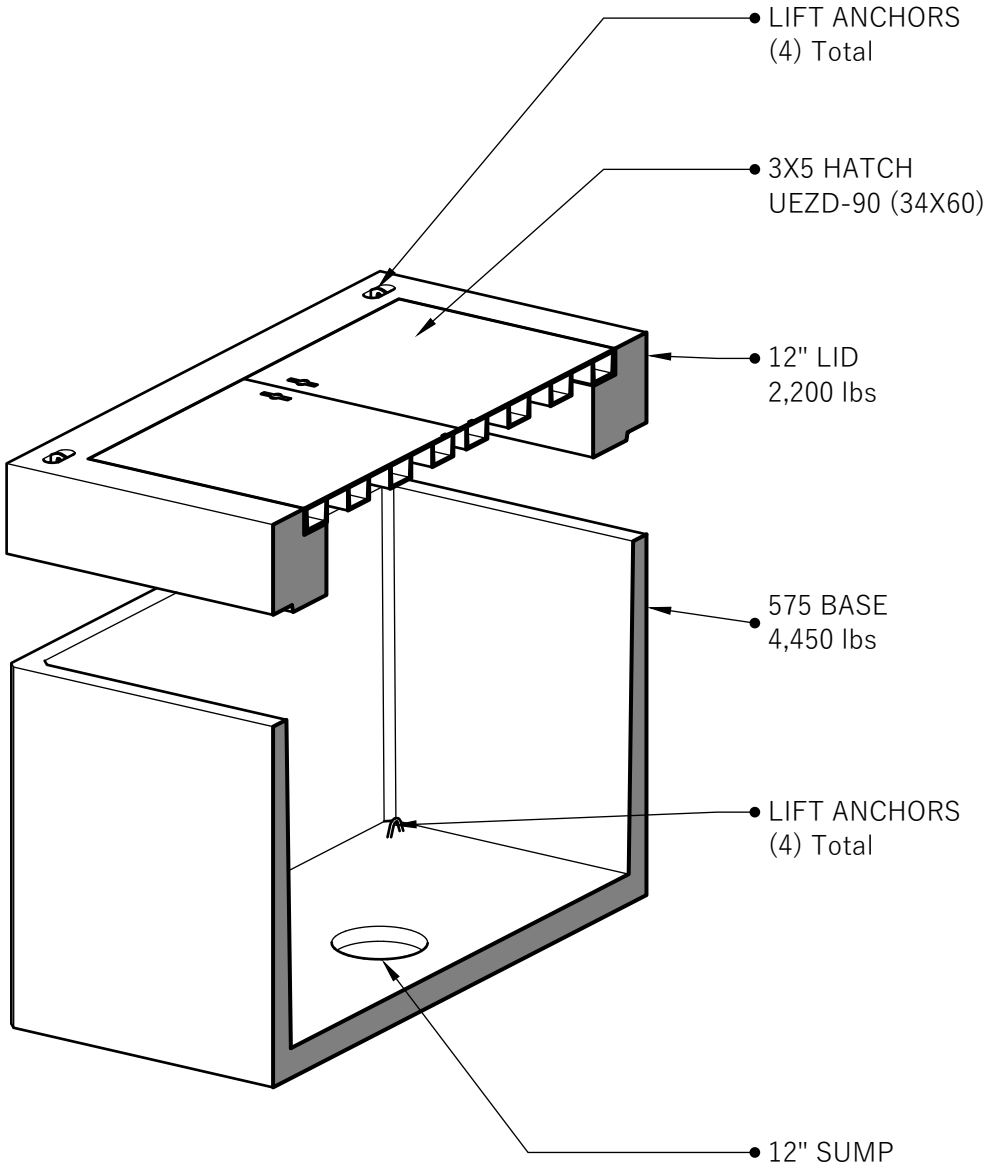


575 WA 3X5 DOMED

ISO

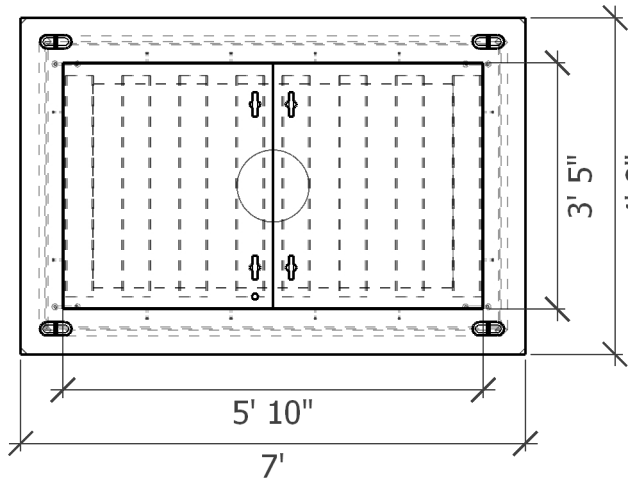


575 WA 3X5 DOMED

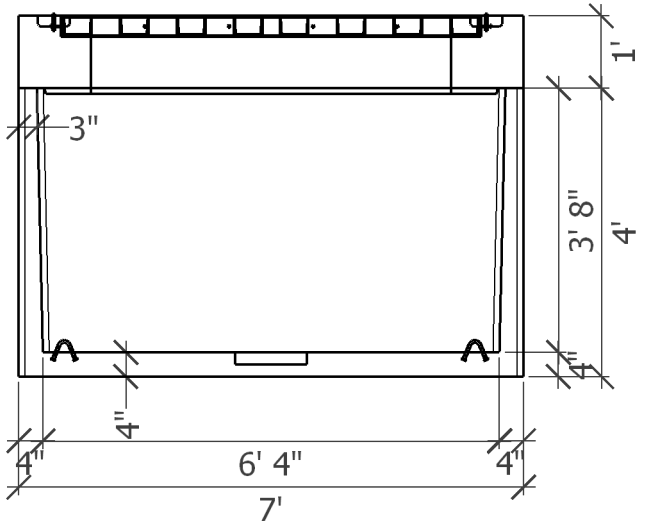
541-923-3272
1111 NE 11TH ST.
REDMOND, OR
97756

575 WA
3X5 DOMED

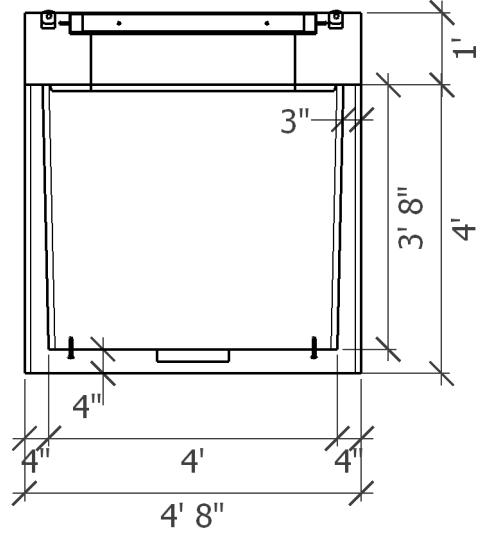
TOP



← 12" LID
2,200 lbs



SIDE



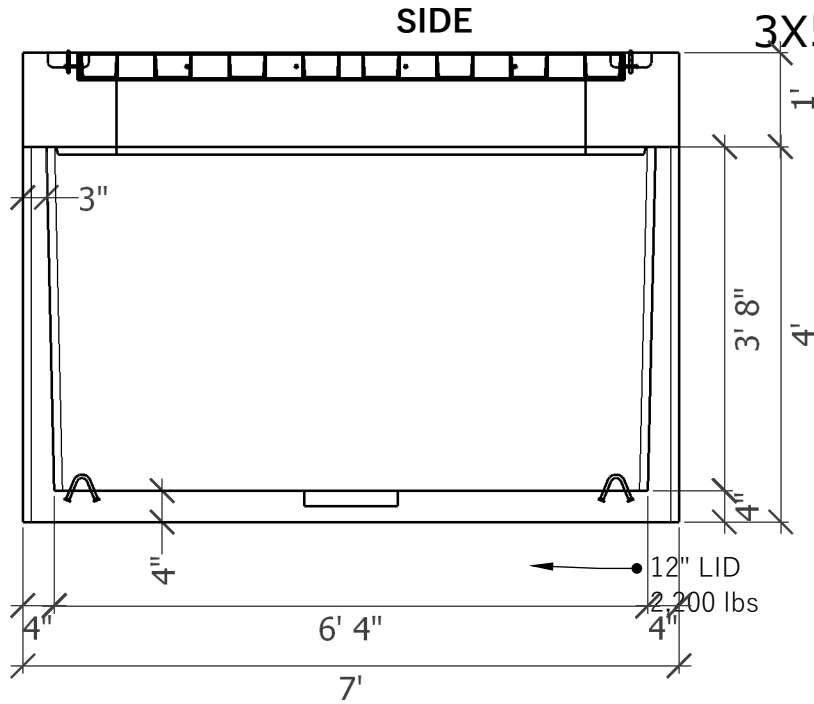
END



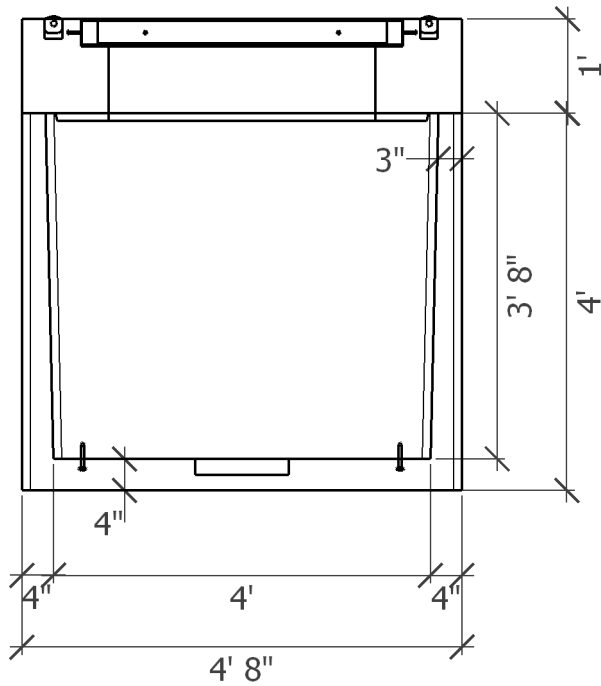
575 WA
3X5 DOMED

541-923-3272
1111 NE 11TH ST.
REDMOND, OR
97756

575 WA
3X5 DOMED



END



QUALITY CONTROL CHECKLIST

Inspector: _____ Date _____

PRE-POUR

ITEM	INITIALS
Form Condition	
Form Cleanliness	
Design Width	
Design Length	
Design Height	
Form Release	
Blockouts	
Reinforcing Steel	
Termaduct Placement	
Lift Anchor Placement	
Top Finish	
Ground Insert Placement	
Concrete Sample Poured	
POST-POUR	
Mark Name/ Number	
Surface Texture	
Cracks or Spalls	
Exposed Reinforcement	
Lift Devices	
Blockouts	
Strut Channel	
Termaducts	
Ground Inserts	

Notes:

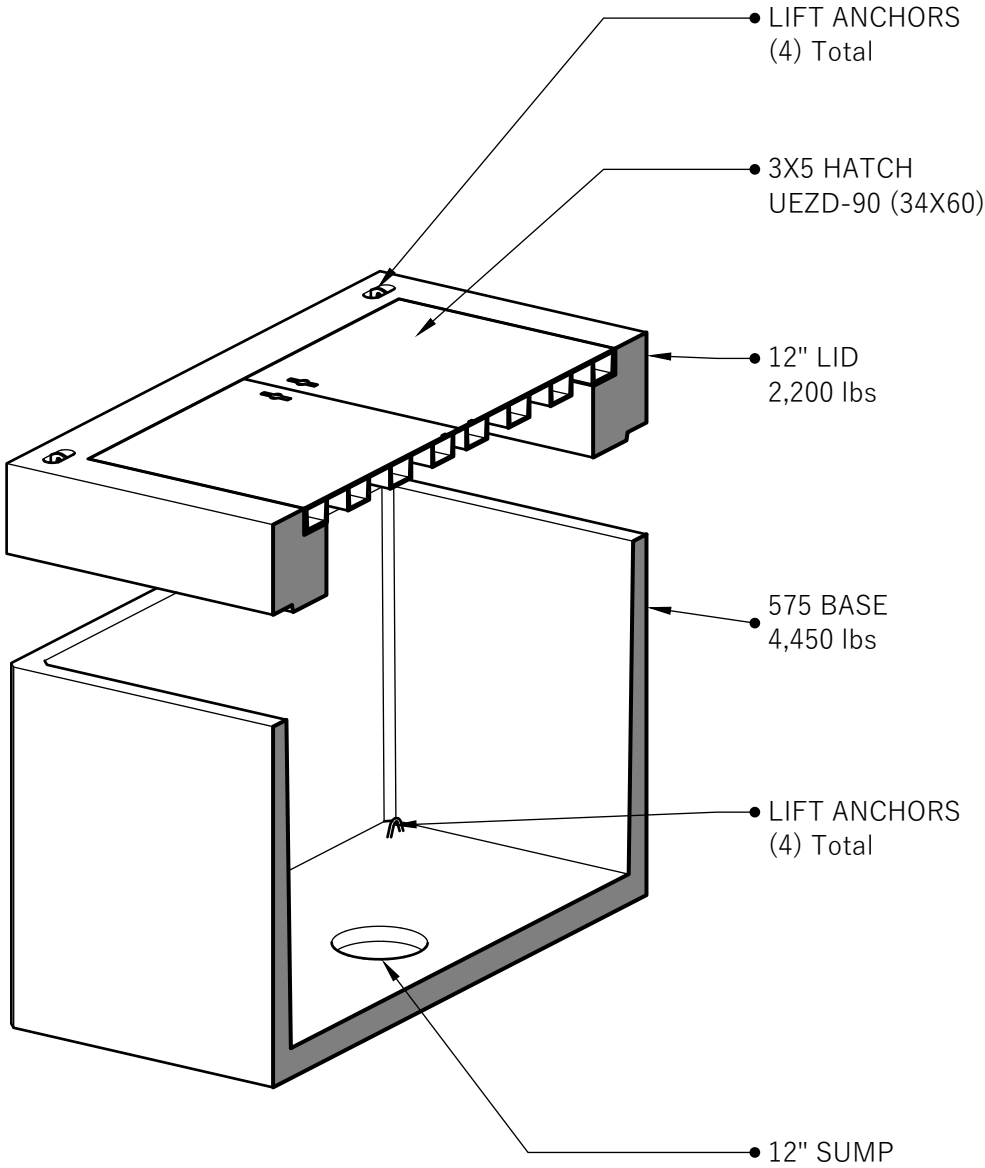


575 WA
3X5 DOMED

541-923-3272
1111 NE 11TH ST.
REDMOND, OR
97756

575 WA 3X5 DOMED

ISO



Customer:
Project:
Product:



**575 WA
3X5 DOMED**

541-923-3272
1111 NE 11TH ST.
REDMOND, OR
97756