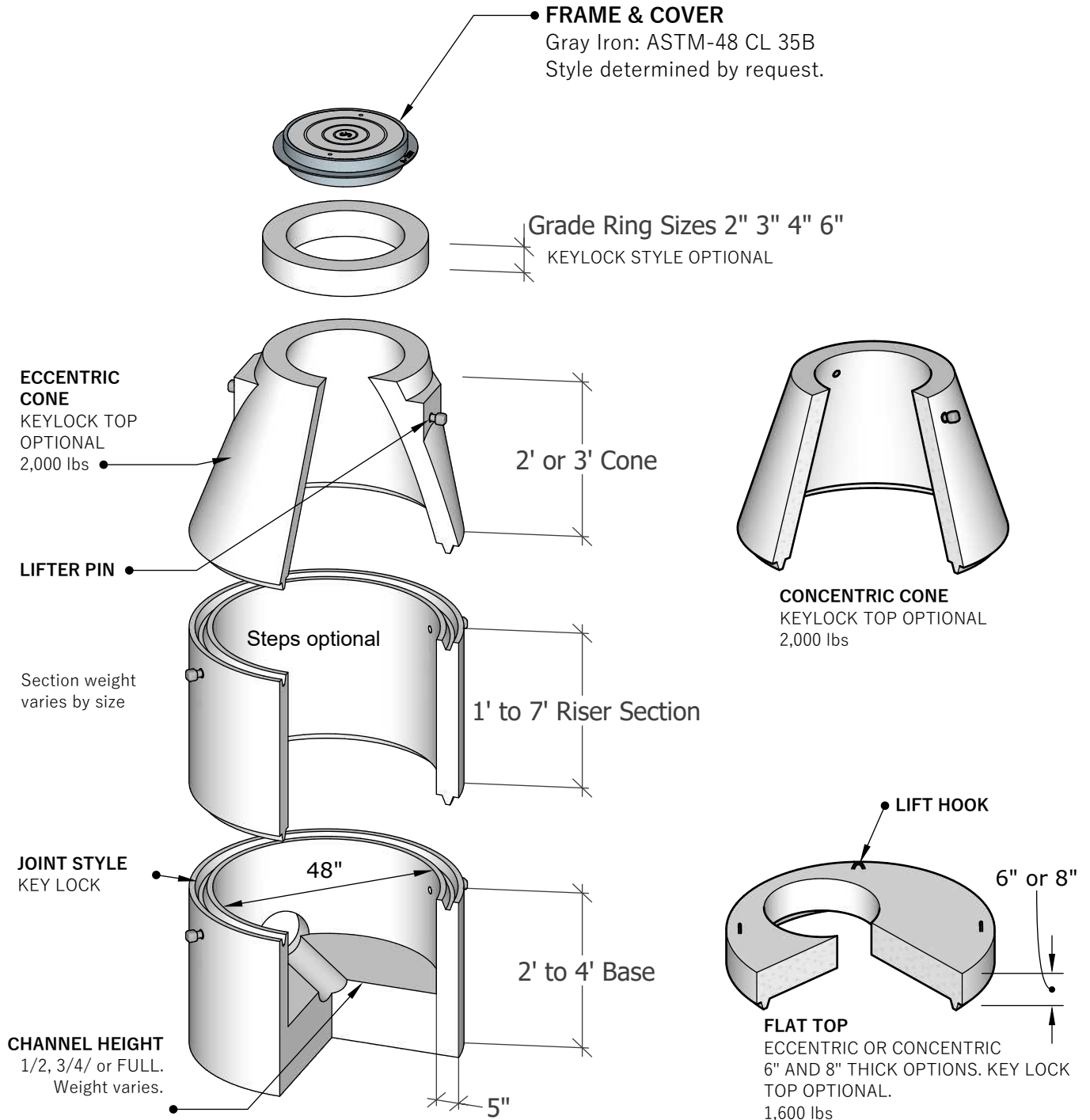


48" Manhole Material



48" Manhole Material

- Meets or Exceeds ASTM C478
- ConSeal CS-102 optional
- Holes cored as required
- Boot connector optional
- Channeled bases optional
- Steps optional



1111 NE 11th St.
Redmond OR, 97756
541-923-3272