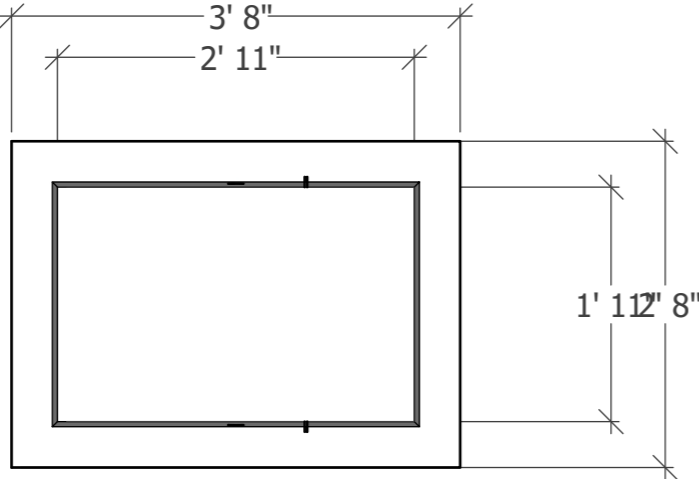


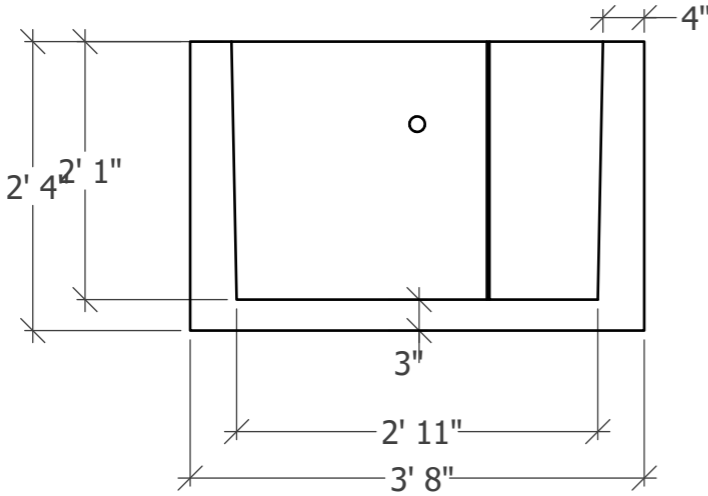
2436 VAULT

ISO

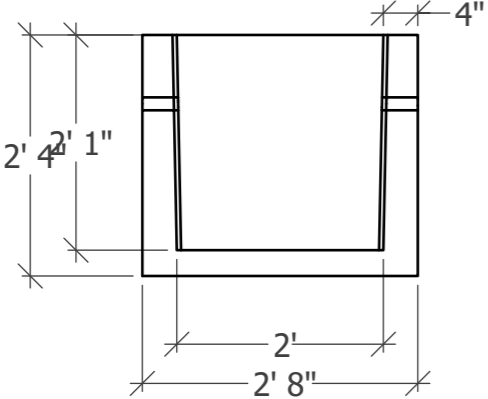
TOP



FRONT



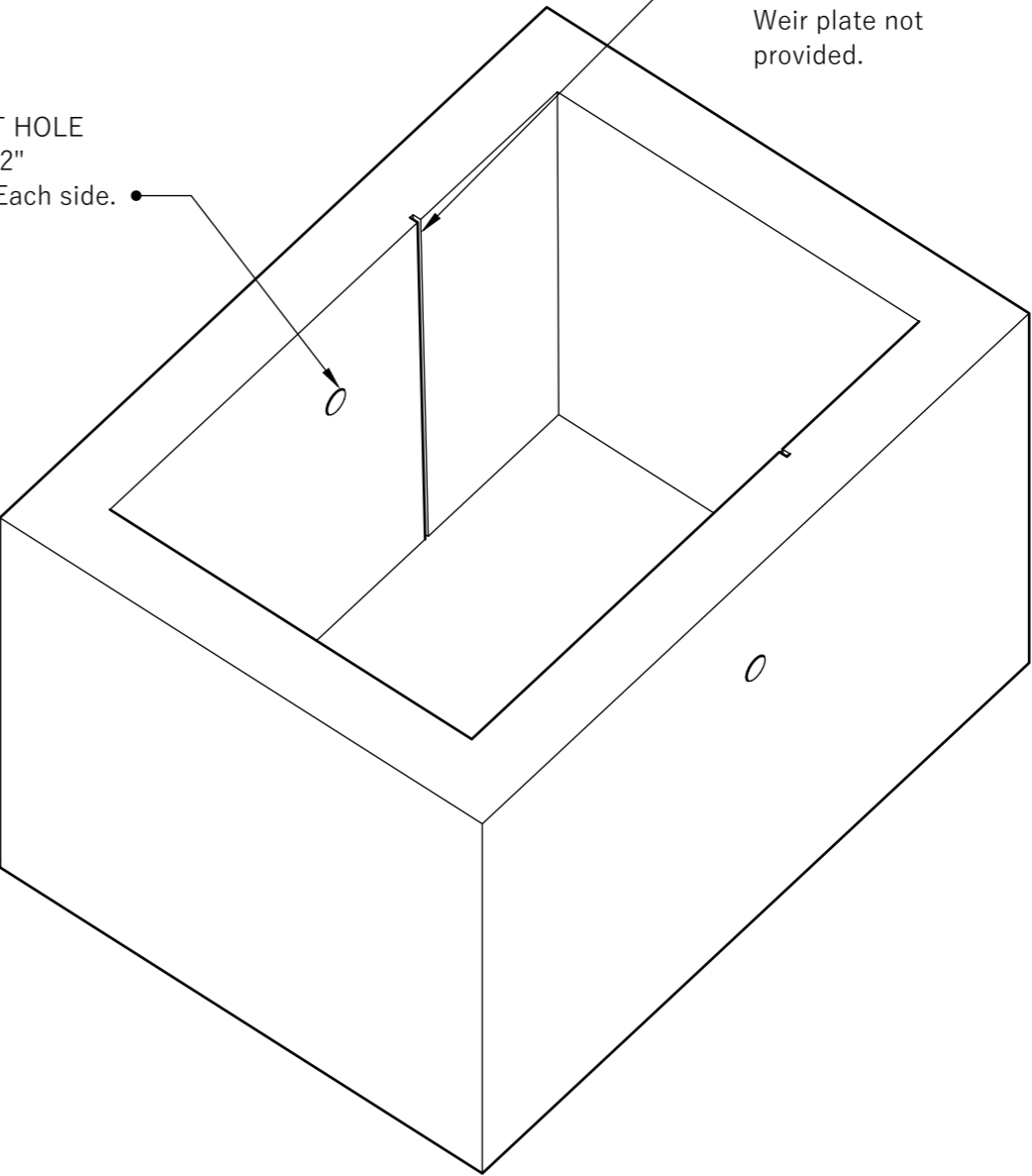
SIDE



LIFT HOLE
1 1/2"
(1) Each side.

WEIR SLOT
Weir plate not provided.

BASE
1,825 LBS



1111 NE 11th St.
Redmond OR, 97756
541-923-3272

Customer:
Project:
Product: